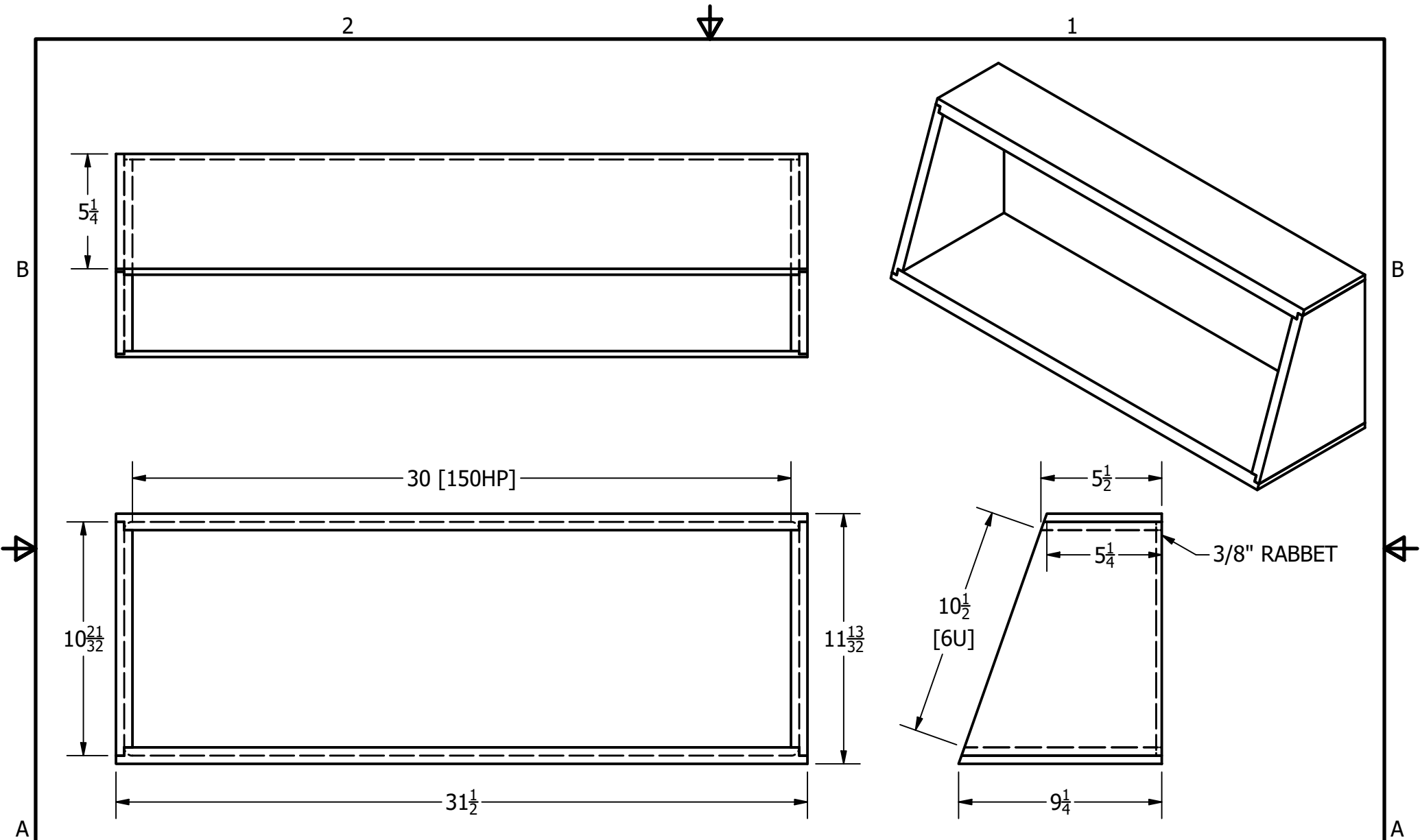


DRAWN J. LEHOTSKY	7/20/2021	JAKE'S CUSTOM SHOP	
CHECKED			
QA		TITLE	
MFG		MOOG SYSTEM 55	
APPROVED JORGE	6/22/2021	SIZE A	DWG NO SYSTEM 55
		SCALE 1/6	REV B
		MODULE NUM.	SHEET 1 OF 3



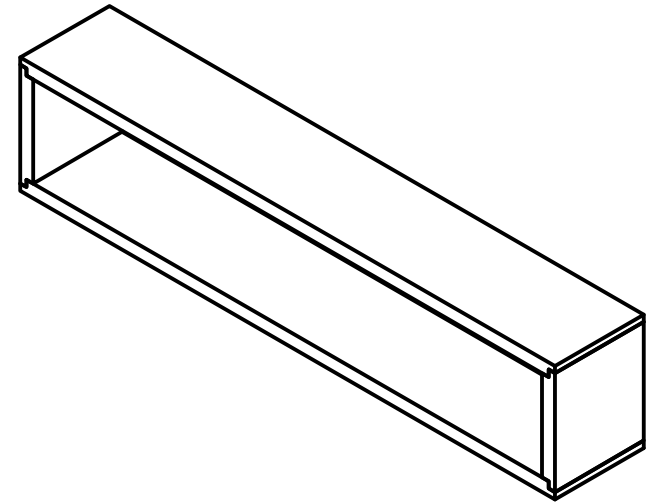
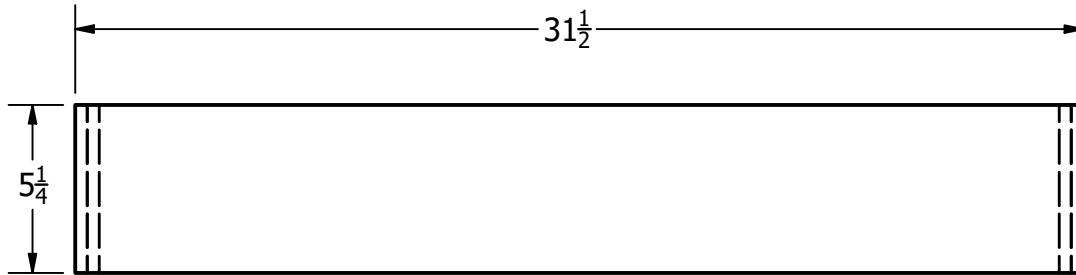
- NOTES:
- VERTICAL DIM SHOWN FOR RECMAR 3296 CURTAIN TRACK
 - CHECK DIMENSIONS OF STOCK BEFORE MAKING CUTS
 - CUT SIDE PANEL TO $10\frac{21}{32} = 10\frac{10.5}{16}$ FOR RABBET

DRAWN J. LEHOTSKY	7/20/2021	JAKE'S CUSTOM SHOP	
CHECKED			
QA		TITLE	
MFG		MOOG SYSTEM 55	
APPROVED JORGE	6/22/2021	SIZE A	DWG NO SYSTEM 55
		SCALE 1/6	REV C
		MODULE NUM.	SHEET 2 OF 3

2

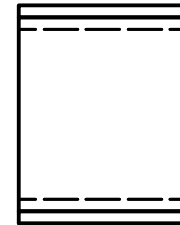
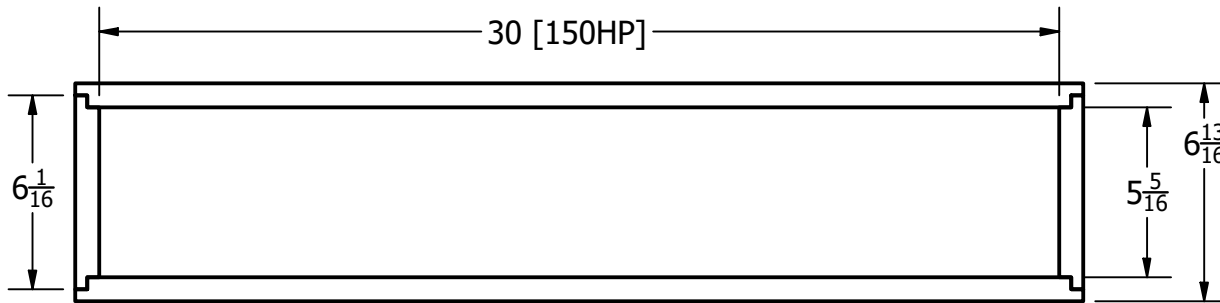


1



B

B



A

A

- NOTES:
- VERTICAL DIM SHOWN FOR RECMAR 3296 CURTAIN TRACK
 - CHECK DIMENSIONS OF STOCK BEFORE MAKING CUTS
 - FOR SIDE PANEL RABBET, LENGTH = $6\frac{1}{16}$ "
 - SET RABBET TO $\frac{3}{8}$ " X $\frac{3}{8}$ " $\pm \frac{1}{128}$

DRAWN	J. LEHOTSKY	7/20/2021
CHECKED		
QA		
MFG		
APPROVED	JORGE	6/22/2021

JAKE'S CUSTOM SHOP		
TITLE		
MOOG SYSTEM 55		
SIZE	DWG NO	REV
A	SYSTEM 55	C
SCALE	MODULE NUM.	SHEET
1/6		3 OF 3

2



1